

Sony Service Company  
National Technical Services  
A Division of Sony Electronics Inc.  
Park Ridge, New Jersey 07656

## Service Bulletin Computer Monitors

**Model:** CPD-15SF2, CPD-17SF2

**No.** 124

**Subject:** Countermeasure for Unstable Picture or Power  
Save due to no Vert. Sync.

**Date:** July 3, 1996

**Symptom:**

(237)

If picture is unstable when using a computer having a low Vert. Sync. level of Approx. 0.7 V. The monitor may go into the Power Save mode due to conditions like having no Vert. Sync. input signal.

**Solution:**

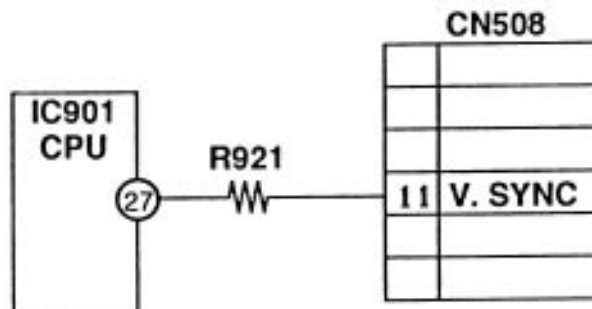
Then, please perform the following countermeasure on the D Board.

Note: The part listed below (or equivalent) is needed to complete this procedure.

REF	DESCRIPTION	PART NUMBER
R921	2.2 K 5% 1/4 W	1-249-421-11

1. Replace R921 with the 2.2K Ohm part. See illustration below.

**D Board Schematic Change**



The correction procedure is completed.

